

Certification Re-Start

EFNMS Certification
Committee,
ECC



© EFNMS vzw

I'm ...



Finnish Maintenance Society, Promaint

- Board Member 2000 –
- Board Chairman 2005 - 2018
- President 2018 -
- EFNMS General Assembly member
- **EFNMS Certification Committee, Member and Chairman**

M.Sc. 1981

University of Oulu, Finland, Department of Electrical Engineering

1981 - 1984 Veitsiluoto Oy, Pulp&Paper producer, Research Engineer

1985 - 1989 AFORA Oy, Project Engineer and Project Manager

1989 – 2020 Kemira Oy, Kemira Chemicals Oy, Kemira Oyj

- Automation Manager, Automation Project Manager, several projects in many countries
- Maintenance Manager and Coordinator, Finland
- Process Engineer Manager, Pulp&Paper segment
- Process Engineer Director, Global Technology & Engineering
- Senior Engineer Expert, Pulp&Paper segment



The beginning

1991: An idea within the Swedish National Maintenance Society arose to specify the requirements of competence for Maintenance Managers.

A specification was developed by 12 representatives from different Swedish industries and together with the Swedish NMS and a training company.

1992: The idea was introduced to the EFNMS, including a translated version of the Swedish specification. A special work group was appointed to look into the Swedish version and transfer it into an EFNMS version.

1993: The EFNMS Specification for Maintenance Management was adopted by the EFNMS on the 17th of April, as well as the Rules for the EFNMS Examination and Certification.

The work group for Certification was elected to handle the EFNMS matters in this area. The first Examination and Certification took place in Sweden.



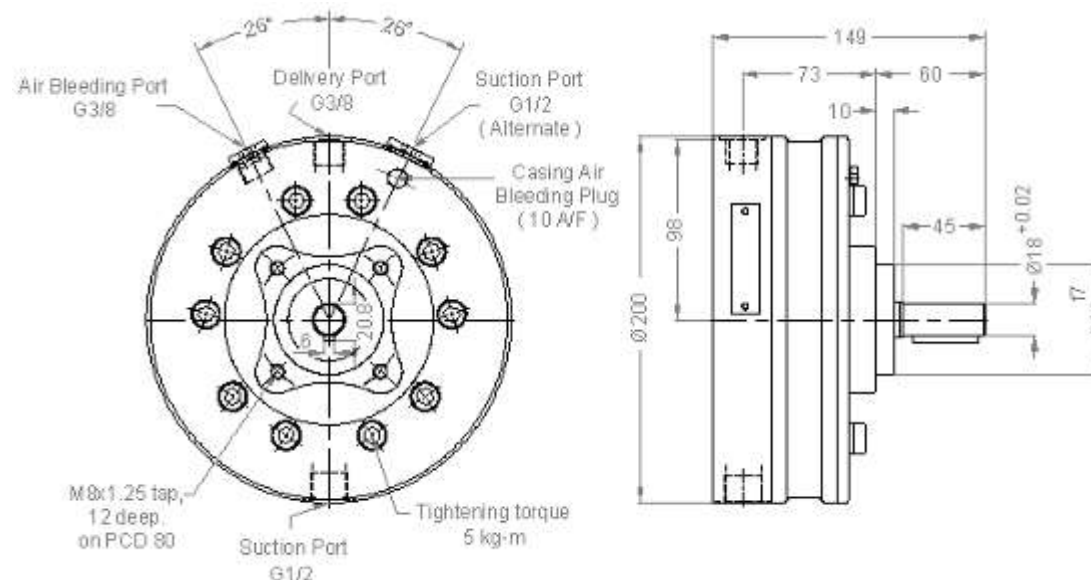
Update on EFNMS Certificates

- The EFNMS certification for Maintenance Managers:
 - Has been carried out in 9 countries:
 - – Sweden - Finland - Great Britain
 - – Norway - Croatia - Ireland
 - – Denmark - Brazil - Holland
 - Total 607 Experts in Maintenance Managers
 - ~ 80 **Maintenance** Managers do the exam every year.

Why to certificate - Standardisation

To have an common unified understanding of something we need an exact definition –

The name of the definition document is the standard.

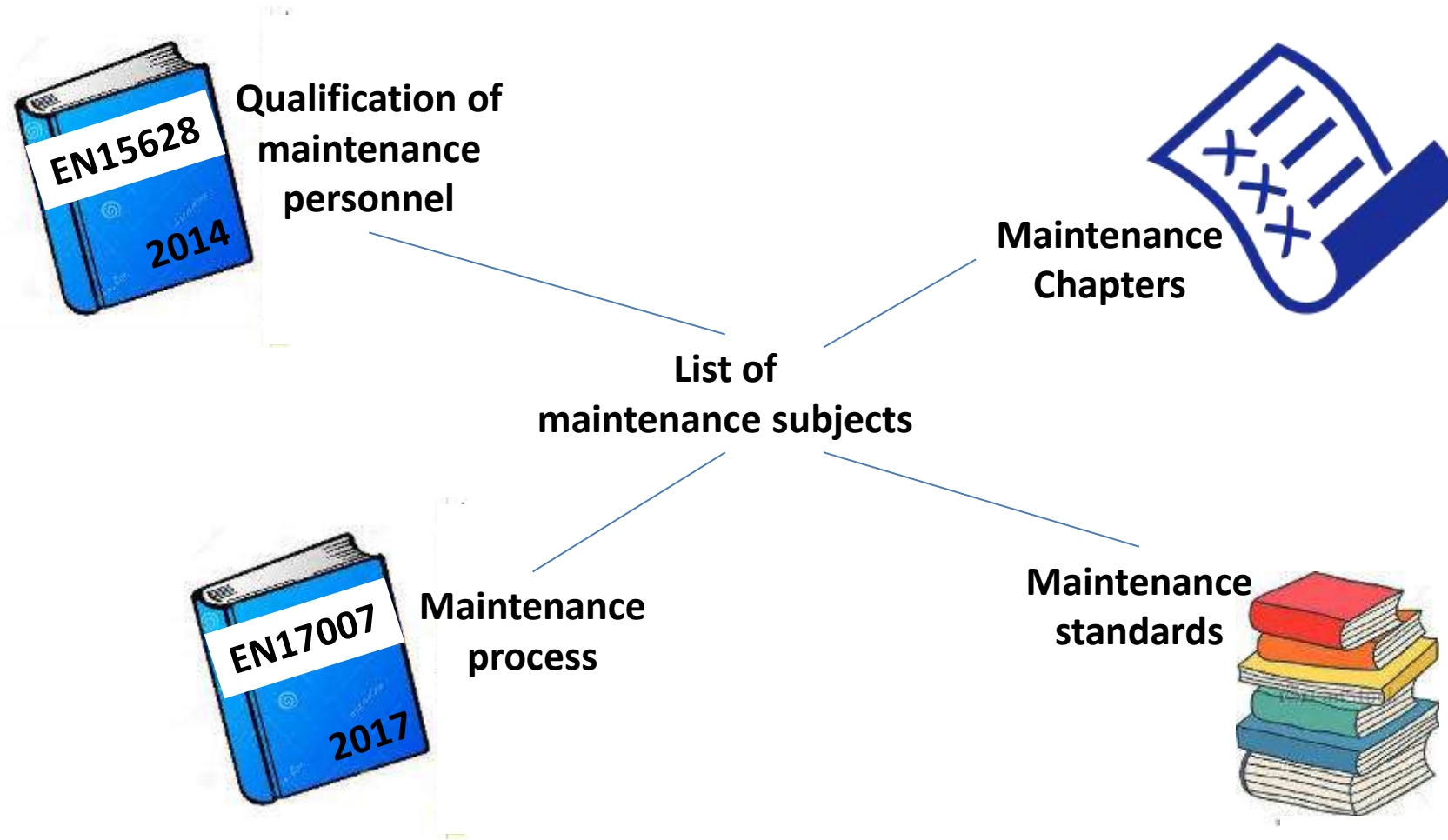


Why to certificate - Standardisation

We have done a huge work during decades by writing a lot of standards trying to describe the maintenance landscape. One standard covers one specific area of the landscape.

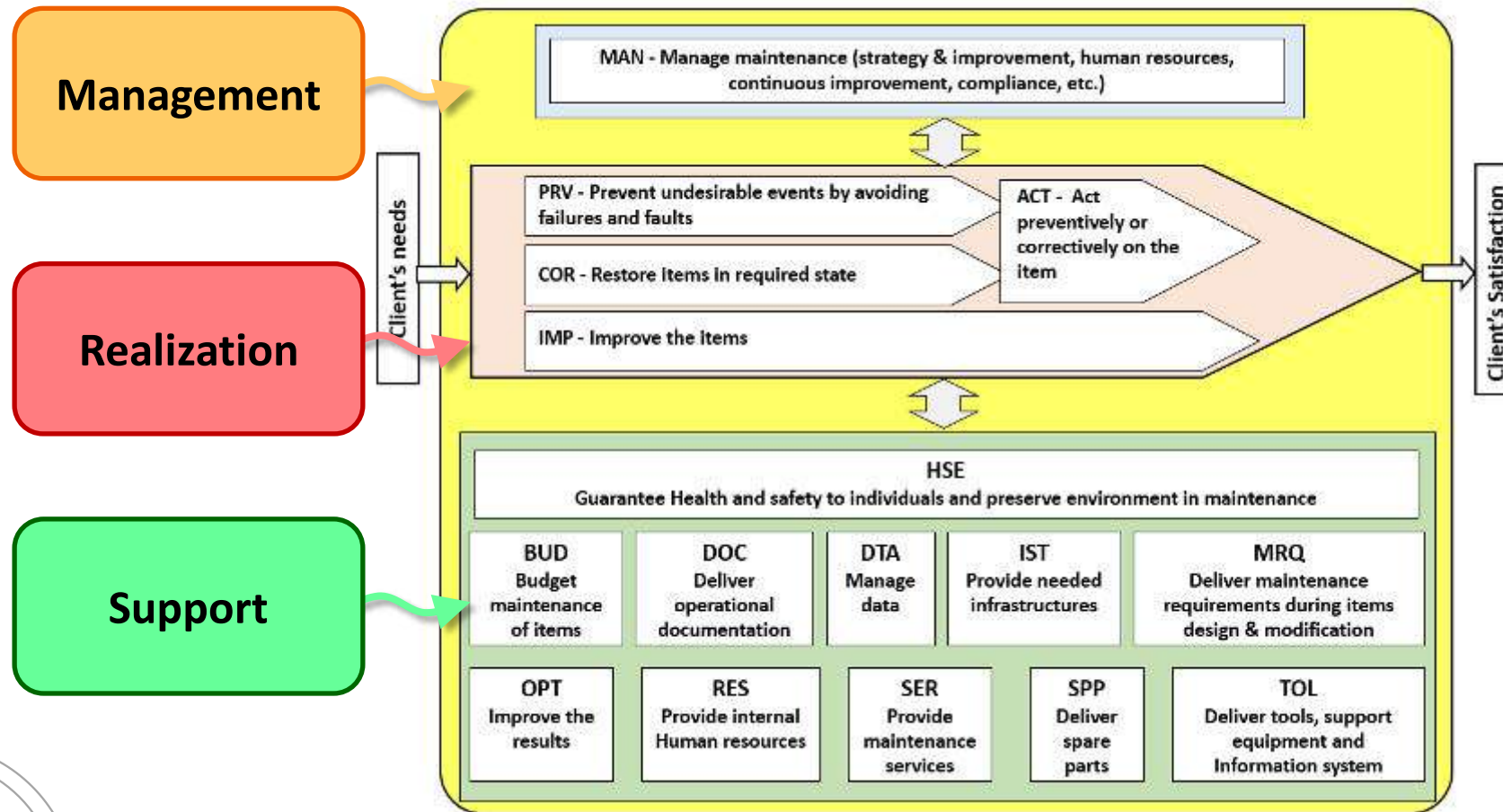


The Certification Landscape

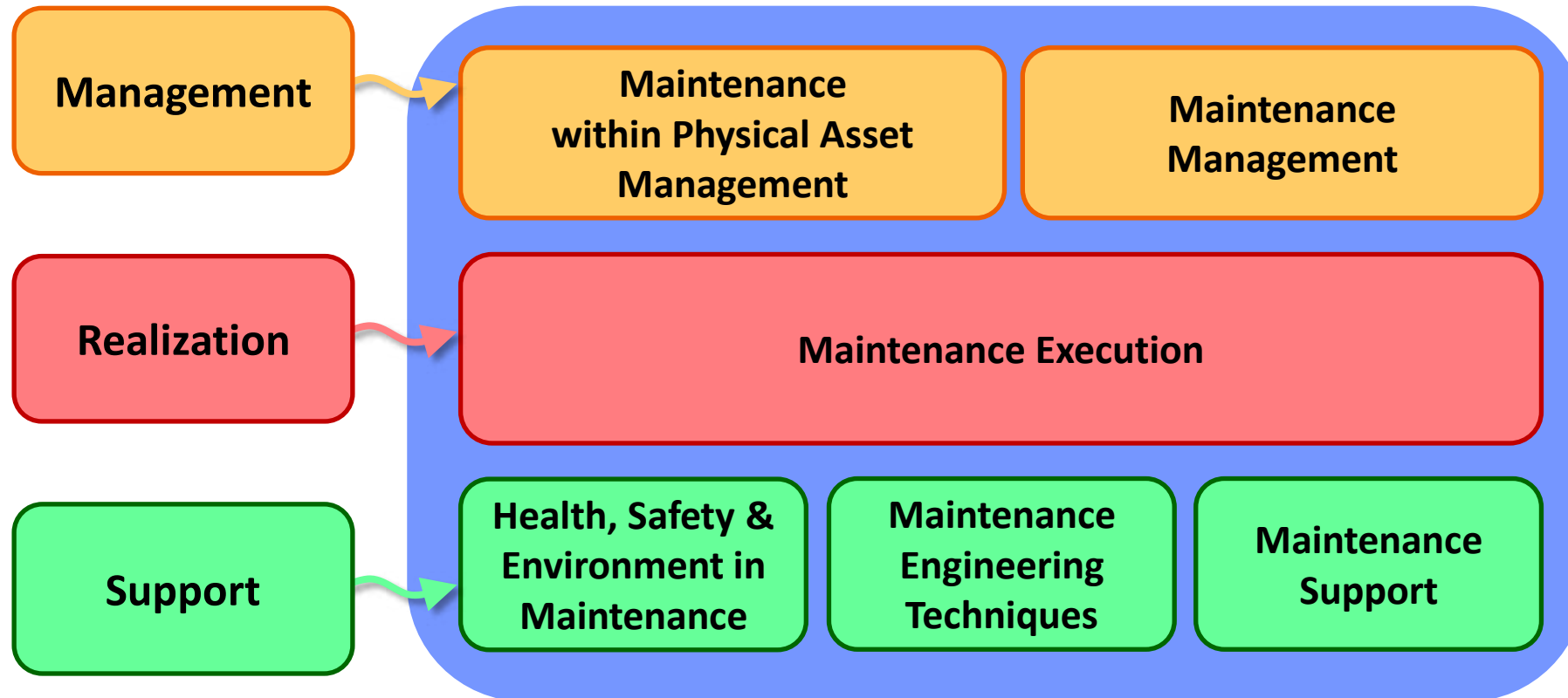


Maintenance Processes

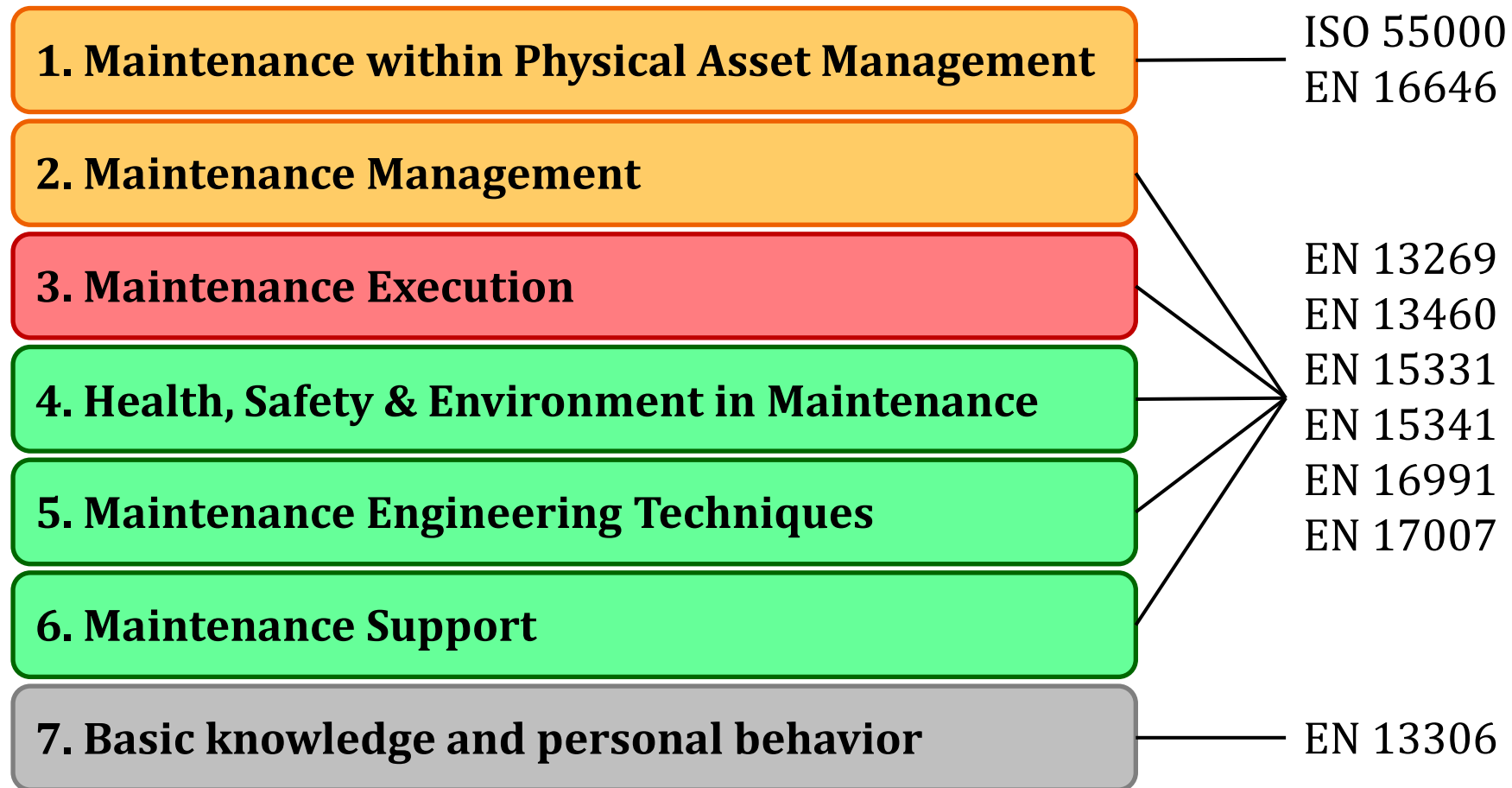
EN 17007 - Maintenance process and associated indicators



Process Alignment with the EFNMS BoK



A common qualification structure



The Certification Landscape

- Certification principles starting from GA decision made in Stockholm autumn 2019
- Fundament documents:
 - Standards EN 15628, EN 17007
 - Body of Knowledge
 - EFNMS amendments

The Certification Landscape

- Qualification cornerstones
 - Four levels of EFNMS certification
 - Manager, Engineer, Supervisor, Technician
 - New qualification requirements for all levels
 - Base material is Erasmus project outputs

Erasmus+ project

Qualification, validation and certification of maintenance personnel

An EU financed project for a modern oriented industrial
validation system based on qualifications

Project members from Czechia, Finland,
Hungary, Iceland, Slovenia and Sweden

All these are EFNMS members

EFNMS is an associated partner



THE NEW EFNMS EXAMINATION MODEL

The new model will be totally digitalized process =
Questions database + Computerized exam +
Automated correction and rating.

Each country (NMS) will be responsible to arrange the domestic examination. The EFNMS Certification Committee will provide needed support.

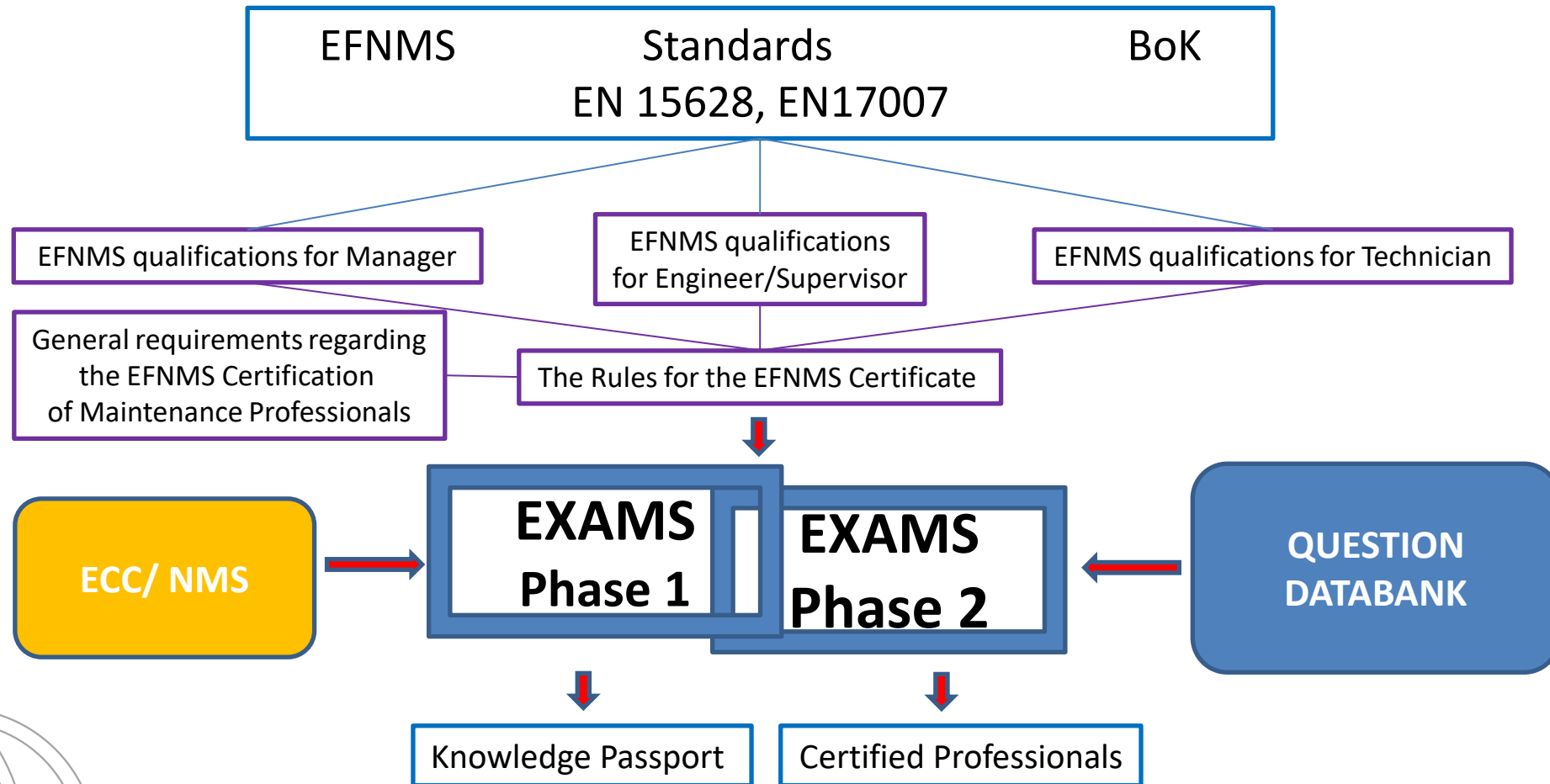
Certification Committee will provide English question database and the exam observer. The observer will operate remotely with help of network tools (video, live meeting application and cloud-based information). The human interface software is open, ECC will have a solution to offer, NMS can make the choice of their own.

Actions 2021

Erasmus+ project will end 2021 and the results of project will be hand over to ECC

- Question database, stored physically in Sweden within a IT-company
- Documentation of question structures
- Qualification documents for all four levels
- A lot of supporting material
- Finalize “priority one” documents and publish them on the EFNMS web
- First pilot of new exam 2022

The Certification Landscape 2022



The Certificates



